

Specifications

| Models | AWP-20S | | AWP-25S | | AWP-30S | |
|-------------------------------------|------------|--------|-------------|--------|------------|---------|
| Measurements | US | Metric | US | Metric | US | Metric |
| Working height* | 26 ft 1 in | 8.12 m | 30 ft 10 in | 9.60 m | 35 ft 6 in | 11.00 m |
| Platform height | 20 ft 1 in | 6.12 m | 24 ft 11 in | 7.60 m | 29 ft 6 in | 9.00 m |
| A Height - stowed (Standard) | 6 ft 6 in | 1.98 m | 6 ft 6 in | 1.98 m | 6 ft 6 in | 1.98 m |
| stowed (RT/Narrow) | 6 ft 7 in | 2.01 m | 6 ft 7 in | 2.01 m | 6 ft 7 in | 2.01 m |
| B tilted back** (Standard) | _____ | _____ | _____ | _____ | _____ | _____ |
| C Length - stowed (Standard) | 4 ft 1 in | 1.24 m | 4 ft 3.5 in | 1.31 m | 4 ft 5 in | 1.35 m |
| stowed (RT/ Narrow) | 5 ft 3 in | 1.60 m | 5 ft 3 in | 1.60 m | 5 ft 3 in | 1.60 m |
| D Length - tilted back** | _____ | _____ | _____ | _____ | _____ | _____ |
| E Width (Standard) | 2 ft 5 in | .74 m | 2 ft 5 in | .74 m | 2 ft 5 in | .74 m |
| Width (RT) | 2 ft 6 in | .76 m | 2 ft 6 in | .76 m | 2 ft 6 in | .76 m |
| Width (Narrow) | 1 ft 10 in | .56 m | 1 ft 10 in | .56 m | 1 ft 10 in | .56 m |

Productivity

| | | | | | | |
|--|---------------------|----------------|---------------------|----------------|---------------------|----------------|
| Lift capacity | 350 lbs | 159 kg | 350 lbs | 159 kg | 350 lbs | 159 kg |
| ANSI/CSA: | | | | | | |
| A A Outrigger footprint (l/w) (Standard) | 5 ft 1 in/4 ft 5 in | 1.55/1.35 m | 5 ft 1 in/4 ft 5 in | 1.55/1.35 m | 5 ft 9 in/5 ft 1 in | 1.75/1.55 m |
| Outrigger footprint (l/w) (RT/Narrow) | 5 ft 4 in/4 ft 2 in | 1.63/1.27 m | 5 ft 4 in/4 ft 2 in | 1.63/1.27 m | 6 ft/5 ft | 1.83/1.52 m |
| A Corner access*** (Standard) | 1 ft 3 in | .38 m | 1 ft 2 in | .36 m | 1 ft 7 in | .48 m |
| Corner access*** (RT/Narrow) | 1 ft 2 in | .36 m | 1 ft 1 in | .33 m | 1 ft 7 in | .48 m |
| A A Wall access front/side (Standard) | 6 in/1 ft 1 in | .15/.33 m | 3 in/1 ft 1 in | .08/.33 m | 5 in/1 ft 5 in | .13/.43 m |
| Wall access front/side (RT/Narrow) | 9 in/1 ft | .23/.30 m | 6 in/1 ft | .15/.30 m | 7 in/1 ft 5 in | .18/.43 m |
| Platform Dimensions: (l/w/h) | | | | | | |
| Standard | 27/26/44.75 in | .69/.66/1.14 m | 27/26/44.75 in | .69/.66/1.14 m | 27/26/44.75 in | .69/.66/1.14 m |
| Gated standard | 27/26/44.75 in | .69/.66/1.14 m | 27/26/44.75 in | .69/.66/1.14 m | 27/26/44.75 in | .69/.66/1.14 m |
| Gated narrow | 26/20/44.75 in | .66/.51/1.14 m | 26/20/44.75 in | .66/.51/1.14 m | 26/20/44.75 in | .66/.51/1.14 m |
| Gated ultra-narrow | 22/18/44.75 in | .56/.46/1.14 m | 22/18/44.75 in | .56/.46/1.14 m | 22/18/44.75 in | .56/.46/1.14 m |
| Standard fiberglass | 29/26.5/43.5 in | .74/.67/1.10 m | 29/26.5/43.5 in | .74/.67/1.10 m | 29/26.5/43.5 in | .74/.67/1.10 m |

Power

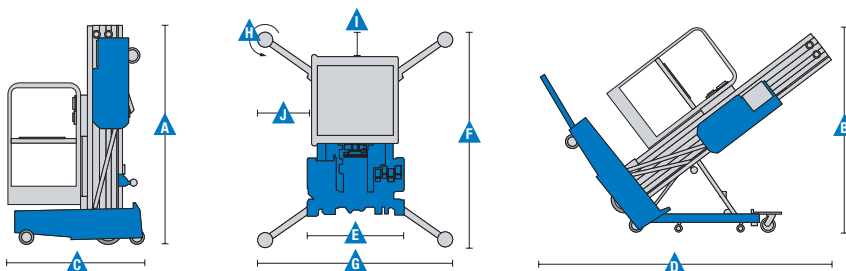
Power source 12V DC 110/50-60 Hz or 220/50-60 Hz AC

Weight

| | | | | | | |
|-----------------------|---------|--------|---------|--------|---------|--------|
| AC models (Standard) | 677 lbs | 307 kg | 727 lbs | 330 kg | 777 lbs | 352 kg |
| AC models (RT/Narrow) | 660 lbs | 299 kg | 694 lbs | 315 kg | 729 lbs | 330 kg |
| DC models (Standard) | 766 lbs | 348 kg | 817 lbs | 371 kg | 867 lbs | 393 kg |
| DC models (RT/Narrow) | 749 lbs | 339 kg | 780 lbs | 355 kg | 818 lbs | 370 kg |
| Air motor (Standard) | _____ | _____ | _____ | _____ | 777 lbs | 352 kg |
| Air motor (RT/Narrow) | _____ | _____ | _____ | _____ | 729 lbs | 331 kg |

Standards Compliance

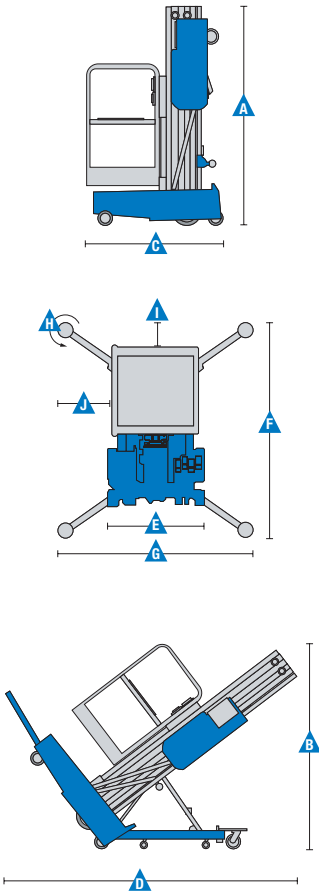
ANSI A92.3, CSA B354.1, EN 280, AS 1418.10



Aerial Work Platforms

AWP® Super Series™

Specifications



| Models | AWP-36S | | AWP-40S | |
|-------------------------------------|-------------|---------|-------------|---------|
| Measurements | US | Metric | US | Metric |
| Working height* | 42 ft 5 in | 13.1 m | 46 ft 4 in | 14.29 m |
| Platform height | 36 ft 5 in | 11.10 m | 40 ft 4 in | 12.29 m |
| A Height - stowed (Standard) | 9 ft 1.5 in | 2.78 m | 9 ft 1.5 in | 2.78 m |
| stowed (RT) | _____ | _____ | _____ | _____ |
| B tilted back** (Standard) | 6 ft 3.5 in | 1.92 m | 6 ft 6 in | 1.98 m |
| C Length - stowed (Standard) | 4 ft 7 in | 1.40 m | 4 ft 8 in | 1.42 m |
| stowed (RT) | _____ | _____ | _____ | _____ |
| D Length - tilted back** | 9 ft 9 in | 2.97 m | 9 ft 9 in | 2.97 m |
| E Width (Standard) | 2 ft 5 in | .74 m | 2 ft 5 in | .74 m |
| Width (RT) | _____ | _____ | _____ | _____ |
| Width (Narrow) | _____ | _____ | _____ | _____ |

Productivity

| | | | | |
|--|----------------------|----------------|---------------------|----------------|
| Lift capacity | 350 lbs | 159 kg | 300 lbs | 136 kg |
| ANSI/CSA: | | | | |
| F G Outrigger footprint (l/w) (Standard) | 6 ft 11 in/6 ft 3 in | 2.1/1.9 m | 7 ft 5 in/6 ft 9 in | 2.26/2.06 m |
| Outrigger footprint (l/w) (RT) | _____ | _____ | _____ | _____ |
| H Corner access*** (Standard) | 2 ft 5 in | .74 m | 2 ft 7 in | .79 m |
| Corner access*** (RT) | _____ | _____ | _____ | _____ |
| I J Wall access front/side (Standard) | 1 ft 2 in/2 ft 1 in | .36/.64 m | 1 ft 3 in/2 ft 4 in | .38/.71 m |
| Wall access front/side (RT) | _____ | _____ | _____ | _____ |
| Platform Dimensions: (l/w/h) | | | | |
| Standard | 27/26/44.75 in | .69/.66/1.14 m | 27/26/44.75 in | .69/.66/1.14 m |
| Gated standard | 27/26/44.75 in | .69/.66/1.14 m | 27/26/44.75 in | .69/.66/1.14 m |
| Gated narrow | 26/20/44.75 in | .66/.51/1.14 m | 26/20/44.75 in | .66/.51/1.14 m |
| Gated ultra-narrow | 22/18/44.75 in | .56/.46/1.14 m | 22/18/44.75 in | .56/.46/1.14 m |
| Standard fiberglass | 29/26.5/43.5 in | .74/.67/1.10 m | 29/26.5/43.5 in | .74/.67/1.10 m |

Power

| | |
|--------------|--|
| Power source | 12V DC 110/50-60 Hz or 220/50-60 Hz AC |
|--------------|--|

Weight

| | | | | |
|----------------------|-----------|--------|-----------|--------|
| AC models (Standard) | 1,040 lbs | 472 kg | 1,040 lbs | 472 kg |
| AC models (RT) | _____ | _____ | _____ | _____ |
| DC models (Standard) | 1,107 lbs | 502 kg | 1,130 lbs | 513 kg |
| DC models (RT) | _____ | _____ | _____ | _____ |
| Air motor (Standard) | _____ | _____ | _____ | _____ |
| Air motor (RT) | _____ | _____ | _____ | _____ |

Standards Compliance

ANSI A92.3, CSA B354.1, EN 280, AS 1418.10

* The metric equivalent of working height adds 2 m to platform height. U.S. adds 6 ft to platform height.
 ** Tilt back height with standard platform. For tilt back height with other platforms, please contact your sales representative.
 *** Corner of platform top rail to corner of wall with ability to rotate leveling jack handle.

Features

| Standard Features | Standard Features | Options & Accessories |
|-------------------|-------------------|-----------------------|
|-------------------|-------------------|-----------------------|

Measurements

AWP-20S

- 26 ft 1 in (8.12 m) working height
- 20 ft 1 in (6.12 m) platform height
- 2 ft 5 in (.74 m) standard base width
- 2 ft 6 in (.76 m) RT base width
- 1 ft 11 in (.58 m) narrow base width
- Up to 350 lbs (159 kg) lift capacity

AWP-25S

- 30 ft 10 in (9.57 m) working height
- 24 ft 10 in (7.57 m) platform height
- 2 ft 5 in (.74 m) standard base width
- 2 ft 6 in (.76 m) RT base width
- 1 ft 11 in (.58 m) narrow base width
- Up to 350 lbs (159 kg) lift capacity

AWP-30S

- 35 ft 6 in (11.02 m) working height
- 29 ft 6 in (9.02 m) platform height
- 2 ft 5 in (.74 m) standard base width
- 2 ft 6 in (.76 m) RT base width
- 1 ft 11 in (.58 m) narrow base width
- Up to 350 lbs (159 kg) lift capacity

AWP-36S

- 42 ft 5 in (13.10 m) working height
- 36 ft 5 in (11.10 m) platform height
- 2 ft 5 in (.74 m) standard base width
- Up to 350 lbs (159 kg) lift capacity

AWP-40S

- 46 ft 4 in (14.29 m) working height
- 40 ft 4 in (12.29 m) platform height
- 2 ft 5 in (.74 m) standard base width
- Up to 300 lbs (136 kg) lift capacity

Productivity

- Auxiliary platform lowering
- Most rigid mast in the industry
- Rocker base system for maneuverability
- Tilt back frame (standard on AWP™-36, -40)
- Easily rolls through standard doorways
- AC power to platform***
- Dual activated up/down switch
- Ground fault interrupt (ANSI / CSA only)
- Small outrigger footprints
- Outrigger storage sockets
- Easy loading in pickup trucks
- Tie down attachment points
- Overhead crane attachment point
- Wide, rear access forklift pockets
- LED lights indicate outrigger installation

Power

- AC power 85V / 50-60 Hz
- AC power 110V / 50-60 Hz
- AC power 220V / 50-60 Hz
- DC power with worldwide automatic smart charging system (12V / 110V / 230V / 50-60 Hz)

Productivity

- Super Straddle
- Descent light and alarm package
- Work station tool tray*
- Fluorescent tube caddy**
- Platform locating laser light**

Power

- Air motor power 1.5 hp (1.1 kW) (AWP™-30 only)

Platform Options

- Gated standard platform
- Gated narrow platform
- Gated ultra-narrow platform
- Standard fiberglass platform

Base Options

- Rough terrain (RT) base with pneumatic casters and rear wheels (AWP™-20, -25, -30 only)
- Narrow base (AWP-20, AWP-25, AWP-30 only)



* Not available on narrow or ultra-narrow platform
 ** Not available on fiberglass platform
 *** Not available with AWP-30S air motor

Genie United States

6464 185th Ave. NE
 Redmond, WA 98052
 Telephone +1 (425) 881-1800
 Toll Free in USA/Canada +1 (800)-536-1800
 Fax +1 (425) 883-3475

Distributed By:

Effective Date: January, 2017. Product specifications and prices are subject to change without notice or obligation. The photographs and/or drawings in this document are for illustrative purposes only. Refer to the appropriate Operator's Manual for instructions on the proper use of this equipment. Failure to follow the appropriate Operator's Manual when using our equipment or to otherwise act irresponsibly may result in serious injury or death. The only warranty applicable to our equipment is the standard written warranty applicable to the particular product and sale and we make no other warranty, express or implied. Products and services listed may be trademarks, service marks or trade names of Terex Corporation and/or their subsidiaries in the USA and many other countries. Terex, Genie and AWP are registered trademarks of Terex Corporation or its subsidiaries. © 2017 Terex Corporation.

Specifications

| Super Straddle Models | AWP-20S | | AWP-25S | | AWP-30S | |
|---------------------------------|------------------------|------------------|------------------------|------------------|------------------------|------------------|
| Measurements | US | Metric | US | Metric | US | Metric |
| A Height | 5 ft 10 in | 1.78 m | 5 ft 10 in | 1.78 m | 5 ft 10 in | 1.78 m |
| B Length (adjustable) | 9 ft 1 in - 11 ft 3 in | 2.77 - 3.25 m | 9 ft 1 in - 11 ft 3 in | 2.77 - 3.25 m | 9 ft 1 in - 11 ft 3 in | 2.77 - 3.25 m |
| C Width | 36.5 in | .93 m | 36.5 in | .93 m | 36.5 in | .93 m |
| Width with required outriggers | | | | | | |
| ANSI, CSA | 5 ft 9 in | 1.75 m | 5 ft 9 in | 1.75 m | 6 ft 9 in | 2.05 m |
| D Wheelbase (adjustable) | 8 ft 8 in - 10 ft 8 in | 2.64 - 3.25 m | 8 ft 8 in - 10 ft 8 in | 2.64 - 3.25 m | 8 ft 8 in - 10 ft 8 in | 2.64 - 3.25 m |
| E Straddle clearance | 4 ft | 1.22 m | 4 ft | 1.22 m | 4 ft | 1.22 m |
| F Height to ladder | 2 ft 3 in | .69 m | 2 ft 3 in | .69 m | 2 ft 3 in | .69 m |
| G Height to fixed wheel | 3 ft 4 in | 1.02 m | 3 ft 4 in | 1.02 m | 3 ft 4 in | 1.02 m |
| Storage dimensions (l/w/d) | 80/37/24 in | 2.03/0.94/0.61 m | 80/37/24 in | 2.03/0.94/0.61 m | 80/37/24 in | 2.03/0.94/0.61 m |

Weight

| | | | | | | |
|--|---------|--------|---------|--------|---------|--------|
| | 580 lbs | 264 kg | 580 lbs | 264 kg | 580 lbs | 264 kg |
|--|---------|--------|---------|--------|---------|--------|

| Super Straddle Models | AWP-36S | | AWP-40S | |
|---------------------------------|------------------------|------------------|------------------------|------------------|
| Measurements | US | Metric | US | Metric |
| A Height | 5 ft 10 in | 1.78 m | 5 ft 10 in | 1.78 m |
| B Length (adjustable) | 9 ft 1 in - 11 ft 3 in | 2.77 - 3.25 m | 9 ft 1 in - 11 ft 3 in | 2.77 - 3.25 m |
| C Width | 36.5 in | .93 m | 36.5 in | .93 m |
| Width with required outriggers | | | | |
| ANSI, CSA | 8 ft 5 in | 2.57 m | 9 ft 1 in | 2.77 m |
| D Wheelbase (adjustable) | 8 ft 8 in - 10 ft 8 in | 2.64 - 3.25 m | 8 ft 8 in - 10 ft 8 in | 2.64 - 3.25 m |
| E Straddle clearance | 4 ft | 1.22 m | 4 ft | 1.22 m |
| F Height to ladder | 2 ft 3 in | .69 m | 2 ft 3 in | .69 m |
| G Height to fixed wheel | 3 ft 4 in | 1.02 m | 3 ft 4 in | 1.02 m |
| Storage dimensions (l/w/d) | 80/37/24 in | 2.03/0.94/0.61 m | 80/37/24 in | 2.03/0.94/0.61 m |

Weight

| | | | | |
|--|---------|--------|---------|--------|
| | 580 lbs | 264 kg | 580 lbs | 264 kg |
|--|---------|--------|---------|--------|

